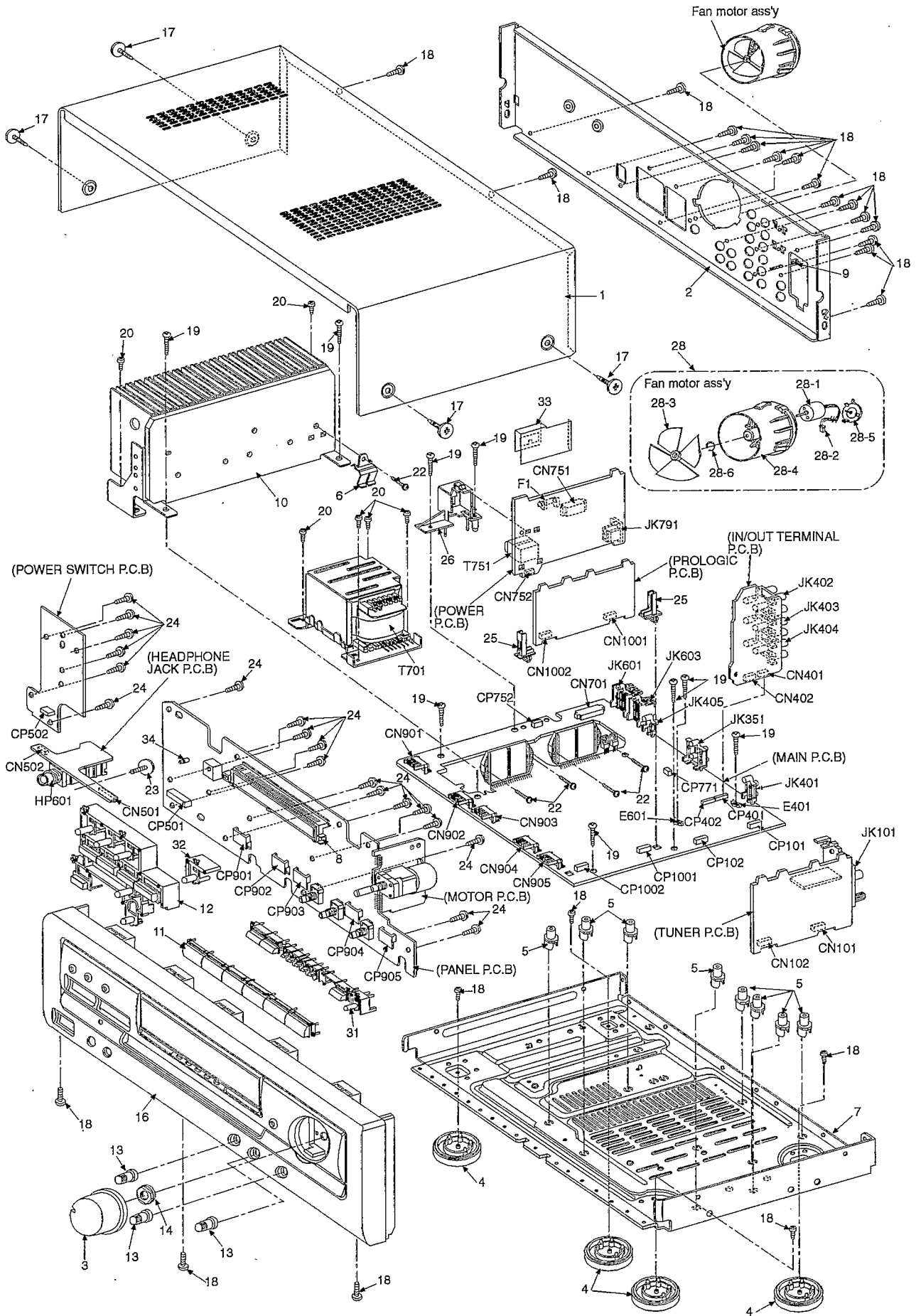



# Cabinet Parts Location



## Replacement Parts List

**Notes:** \* Important safety notice :

 Components identified by  mark have special characteristics important for safety.

Furthermore, special parts which have purposes of fire-retardant (resistors), high-quality sound (capacitors), low-noise (resistors), etc. are used. When replacing any of components, be sure to use only manufacturer's specified parts shown in the parts list.

\* The parenthesized in the Remarks columns specify the areas. (Refer to the cover page for area.)

Parts without these indication can be used for all areas.

\* [M] in Remarks column indicates parts that are supplied by MESA.

\* [MAV] in Remarks column indicates parts that are supplied by MAV.

\* [VRD] in Remarks column indicates parts that are supplied by Video Recorder Division.

\* Remote Control Unit : Supply period for three years from terminal of production.

\* The "(SF)" mark denotes the standard part.

| Ref No. | Part No.     | Part Name & Description    | Remarks   | Ref No. | Part No.     | Part Name & Description    | Remarks  | Ref No. | Part No.     | Part Name & Description | Remarks   |
|---------|--------------|----------------------------|-----------|---------|--------------|----------------------------|--|---------|--------------|-------------------------|---|
|         |              | <b>CABINET AND CHASSIS</b> |           |         |              | <b>INTEGRATED CIRCUITS</b> |  | Q584    | 2SC3311ARTA  | TRANSISTOR              |   |
| 1       | RKM0319A-K   | CABINET                    | [MAV]     | IC101   | LA1832A      | IC, IF/MPX                 |  | Q585    | 2SA1309ARTA  | TRANSISTOR              |   |
| 2       | RGR0234D-B1  | REAR PANEL                 | [MAV](E)  | IC102   | LC7218       | IC, PLL                    |  | Q601    | UN4119TA     | TRANSISTOR              |   |
| 2       | RGR0234D-C   | REAR PANEL                 | [MAV](EB) | IC351   | NJM2279D     | IC, VIDEO SELECTOR SW      |  | Q610    | 2SC3311ARTA  | TRANSISTOR              |   |
| 2       | RGR0234D-A   | REAR PANEL                 | [MAV](EG) | IC401   | TC9163N      | IC, SELECTOR               |  | Q651    | UN4119TA     | TRANSISTOR              |   |
| 3       | RGW0243A-K   | VOLUME KNOB                | [MAV]     | IC401   | TC9163N      | IC, SELECTOR               |  | Q681    | 2SD1915FTA   | TRANSISTOR              |   |
| 4       | RKA0079-A    | FOOT                       | [MAV]     | IC402   | M5218AP      | IC, BUFFER AMP             |  | Q682    | 2SD1915FTA   | TRANSISTOR              |   |
| 5       | RKQ0089      | PCB SUPPORT                |           | IC451   | AN6558-F     | IC, OP AMP                 | [M]  | Q701    | 2SD2374PQAU  | TRANSISTOR              |    |
| 6       | RMC0158-S    | TR FIXTURE                 | [M]       | IC501   | BA6218       | IC, MOTOR DRIVER           |  | Q703    | 2SC3311ARTA  | TRANSISTOR              |    |
| 7       | RMK0313      | BOTTOM CHASSIS             | [MAV]     | IC511   | UPC4570C     | IC, TONE CONTROL           |  | Q704    | 2SC3311ARTA  | TRANSISTOR              |    |
| 8       | RMN0372      | FL HOLDER                  | [MAV]     | IC551   | UPC4570C     | IC, TONE CONTROL           |  | Q705    | 2SC3311ARTA  | TRANSISTOR              |    |
| 9       | SNE2123      | EARTH TERMINAL             |           | IC601   | RSN3305-P    | IC, HIC                    | [MAV]   | Q706    | 2SC3940AQSTA | TRANSISTOR              |    |
| 10      | RXX0166      | HEAT SINK UNIT             | [MAV]     | IC602   | RSN3305-P    | IC, HIC                    | [MAV]  | Q707    | 2SB621ARTA   | TRANSISTOR              |   |
| 11      | RGU1351-K    | SELECTOR BUTTON            | [MAV]     | IC901   | UPD78043A047 | IC, MICRO COMPUTER         | [MAV]  | Q708    | 2SB1548PQAU  | TRANSISTOR              |  |
| 12      | RGU1350A-K   | MODE BUTTON                | [MAV]     | IC902   | STK311-010   | IC, RDS DECODER            | [M]  | Q751    | UN421FTA     | TRANSISTOR              |   |
| 13      | RGW0244-K    | BASS TREBLE KNOB           | [MAV]     | IC1001  | LA2785       | IC, PRO LOGIC DECODER      |  | Q752    | 2SC3940AQSTA | TRANSISTOR              |  |
| 14      | RHN90001     | M9 NUT                     |           | IC1002  | LV1010N      | IC, DIGITAL DELAY          |  | Q771    | 2SA1309ARTA  | TRANSISTOR              |   |
| 16      | RFKGAEX500EK | FRONT PANEL ASS'Y          | [MAV]     | IC1003  | TC9214P      | IC, SELECTOR SWITCH        |  | Q772    | 2SA1309ARTA  | TRANSISTOR              |   |
| 17      | SNE2129-1    | SCREW (CABINET)            |           |         |              |                            |  | Q773    | 2SB621ARTA   | TRANSISTOR              |  |
| 18      | XTBS3+8JFZ1  | SCREW                      |           |         |              |                            |  | Q774    | 2SA1309ARTA  | TRANSISTOR              |   |
| 19      | XTB3+20JFZ   | SCREW                      |           |         |              |                            |  | Q775    | 2SA1309ARTA  | TRANSISTOR              |   |
| 20      | XTB3+8FFZ    | SCREW                      |           |         |              |                            |  | Q776    | 2SA1309ARTA  | TRANSISTOR              |   |
| 22      | XTW3+15T     | SCREW                      |           | Q101    | 2SC2787LTA   | TRANSISTOR                 |  | Q901    | RVTDC114YST  | TRANSISTOR              |   |
| 23      | RHD26016     | SCREW                      |           | Q103    | 2SC2785FETA  | TRANSISTOR                 |  | Q902    | 2SA933SSTA   | TRANSISTOR              |   |
| 24      | XTBS26+10J   | SCREW                      |           | Q104    | 2SC2785FETA  | TRANSISTOR                 |  | Q907    | RVTDC114YST  | TRANSISTOR              |   |
| 25      | RMN0203      | PCB HOLDER                 |           | Q106    | UN411FTA     | TRANSISTOR                 |  | Q909    | 2SC3311ARTA  | TRANSISTOR              |   |
| 26      | RMN0338      | TRANS HOLDER               |           | Q107    | 2SC3311ARTA  | TRANSISTOR                 |  | Q1001   | 2SC3940AQSTA | TRANSISTOR              |  |
| 28      | RYQ0173-K    | FAN UNIT                   | [MAV]     | Q108    | 2SC3311ARTA  | TRANSISTOR                 |  | Q1081   | 2SA1309ARTA  | TRANSISTOR              |   |
| 28-1    | MDN-4RB4MRC  | MOTOR                      |           | Q191    | 2SC3311ARTA  | TRANSISTOR                 | (EB)(E)  |         |              |                         |   |
| 28-2    | REX0811      | CONNECTOR UNIT             | [MAV]     | Q192    | 2SC3311ARTA  | TRANSISTOR                 | (EB)(E)  |         |              |                         |   |
| 28-3    | SHE232       | 64MM FAN                   |           | Q193    | 2SC3311ARTA  | TRANSISTOR                 | (EB)(E)  |         |              | <b>DIODES</b>           |   |
| 28-4    | SHE233-1     | FAN CASE                   |           | Q351    | 2SD592ARTA   | TRANSISTOR                 |         | D101    | MTZJ5R1BTA   | DIODE                   |  |
| 28-5    | SHE234       | FAN CASE COVER             |           | Q352    | 2SB621ARTA   | TRANSISTOR                 |         | D102    | MA165TA      | DIODE                   |   |
| 28-6    | SUS271       | MOTOR SPRING               |           | Q505    | 2SD1915FTA   | TRANSISTOR                 |  | D351    | MTZJ5R6BTA   | DIODE                   |   |
| 31      | RGU1352F-K   | DOLBY BUTTON               | [MAV]     | Q506    | 2SD1915FTA   | TRANSISTOR                 |  | D352    | MTZJ5R6BTA   | DIODE                   |   |
| 32      | RGU1398-Q    | HELP BUTTON                | [MAV]     | Q551    | 2SD1915FTA   | TRANSISTOR                 |  | D401    | MTZJ7R5CTA   | DIODE                   |  |
| 33      | RMV0122      | BARRIER                    | [MAV]     | Q552    | 2SD1915FTA   | TRANSISTOR                 |  | D583    | MTZJ3R0ATA   | DIODE                   | [MAV]   |
| 34      | RMN0313      | LED SUPPORT                |           | Q581    | 2SA1309ARTA  | TRANSISTOR                 |  | D584    | MTZJ3R0ATA   | DIODE                   | [MAV]   |
|         |              |                            |           | Q582    | 2SA1309ARTA  | TRANSISTOR                 |  | D601    | SB360L6508   | DIODE                   |  |
|         |              |                            |           | Q583    | 2SC3311ARTA  | TRANSISTOR                 |  |         |              |                         |   |

| Ref No. | Part No.    | Part Name & Description | Remarks | Ref No. | Part No.     | Part Name & Description   | Remarks | Ref No. | Part No.     | Part Name & Description         | Remarks |
|---------|-------------|-------------------------|---------|---------|--------------|---------------------------|---------|---------|--------------|---------------------------------|---------|
| D602    | SB360L6508  | DIODE                   | ⚠       | D1001   | MTZJ10CTA    | DIODE                     | ⚠       | CN751   | SJS305-1     | CONNECTOR (3P)                  |         |
| D603    | RVD1SS133TA | DIODE                   |         | D1002   | MA700ATA     | DIODE                     |         | CN752   | RJU100W04    | SOCKET (4P)                     | [MAV]   |
| D604    | RVD1SS133TA | DIODE                   |         |         |              |                           |         | CN901   | RJU003K008M1 | BOARD IN CONNECTOR              |         |
| D605    | MTZJ6R2BTA  | DIODE                   |         |         |              | <b>VARIABLE RESISTORS</b> |         | CN902   | RJU003K008M1 | BOARD IN CONNECTOR              |         |
| D606    | RVD1SS133TA | DIODE                   |         |         |              |                           |         | CN903   | RJU003K008M1 | BOARD IN CONNECTOR              |         |
| D607    | RVD1SS133TA | DIODE                   |         | VR501   | RRV24B02B16A | VR, MOTOR VOLUME          | [MAV]   | CN904   | RJU003K008M1 | BOARD IN CONNECTOR              |         |
| D651    | SB360L6508  | DIODE                   | ⚠       | VR502   | EVJ02QF01G15 | VR, BALANCE CONTROL       |         | CN905   | RJU003K008M1 | BOARD IN CONNECTOR              |         |
| D652    | SB360L6508  | DIODE                   | ⚠       | VR511   | EVJYA1F01C15 | VR, BASS CONTROL          |         | CN1001  | RJU100W07    | 7P CONNECTOR                    | [MAV]   |
| D653    | RVD1SS133TA | DIODE                   |         | VR512   | EVJYA1F01C15 | VR, TREBLE CONTROL        |         | CN1002  | RJU100W07    | 7P CONNECTOR                    | [MAV]   |
| D654    | RVD1SS133TA | DIODE                   |         |         |              |                           |         | CP101   | RJT057W007-1 | 7P CONNECTOR                    |         |
| D655    | MTZJ6R2BTA  | DIODE                   |         |         |              | <b>SWITCHES</b>           |         | CP102   | RJT057W007-1 | 7P CONNECTOR                    |         |
| D656    | RVD1SS133TA | DIODE                   |         |         |              |                           |         | CP401   | RJT100W07    | 7P CONNECTOR                    | [MAV]   |
| D657    | RVD1SS133TA | DIODE                   |         | S946    | EVQ21405R    | SW, POWER                 |         | CP402   | RJT100W07    | 7P CONNECTOR                    | [MAV]   |
| D659    | MTZJ5R1BTA  | DIODE                   |         | S947    | EVQ21405R    | SW, PHONO                 |         | CP501   | RJT100W07    | 7P CONNECTOR                    | [MAV]   |
| D660    | MTZJ5R1BTA  | DIODE                   |         | S948    | EVQ21405R    | SW, MUTING                |         | CP502   | RJT100W04    | CONNECTOR (4P)                  | [MAV]   |
| D661    | MTZJ5R1BTA  | DIODE                   |         | S950    | EVQ21405R    | SW, FM MODE               |         | CP752   | RJT100W04    | CONNECTOR (4P)                  | [MAV]   |
| D662    | MTZJ5R1BTA  | DIODE                   |         | S951    | EVQ21405R    | SW, BAND                  |         | CP771   | SJT3213      | CONNECTOR (FAN)                 |         |
| D701    | 1N5402BM21  | DIODE                   | ⚠       | S952    | EVQ21405R    | SW, TUNING DOWN           |         | CP901   | RJT003K008M1 | 8P CONNECTOR                    |         |
| D702    | 1N5402BM21  | DIODE                   | ⚠       | S953    | EVQ21405R    | SW, TUNING UP             |         | CP902   | RJT003K008M1 | 8P CONNECTOR                    |         |
| D703    | 1N5402BM21  | DIODE                   | ⚠       | S954    | EVQ21405R    | SW, MEMORY                |         | CP903   | RJT003K008M1 | 8P CONNECTOR                    |         |
| D704    | 1N5402BM21  | DIODE                   | ⚠       | S955    | EVQ21405R    | SW, SLEEP                 |         | CP904   | RJT003K008M1 | 8P CONNECTOR                    |         |
| D705    | MTZJ6R2BTA  | DIODE                   | ⚠       | S956    | EVQ21405R    | SW, PRESET DOWN           |         | CP905   | RJT003K008M1 | 8P CONNECTOR                    |         |
| D706    | MTZJ6R2BTA  | DIODE                   | ⚠       | S957    | EVQ21405R    | SW, PRESET UP             |         | CP1001  | RJT100W07    | 7P CONNECTOR                    | [MAV]   |
| D707    | MTZJ24DTA   | DIODE                   | ⚠       | S958    | EVQ21405R    | SW, HELP                  |         | CP1002  | RJT100W07    | 7P CONNECTOR                    | [MAV]   |
| D708    | MTZJ15CTA   | DIODE                   | ⚠       | S960    | EVQ21405R    | SW, TUNER                 |         |         |              |                                 |         |
| D721    | 1N5402BM21  | DIODE                   | ⚠       | S961    | EVQ21405R    | SW, CD                    |         |         |              | <b>COILS &amp; TRANSFORMERS</b> |         |
| D722    | 1N5402BM21  | DIODE                   | ⚠       | S962    | EVQ21405R    | SW, TAPE MONITOR          |         | L101    | ELESNR68MA   | CHOKE COIL                      | (EB)(E) |
| D723    | 1N5402BM21  | DIODE                   | ⚠       | S963    | EVQ21405R    | SW, TV/VCR2               |         | L101    | ELESNR10MA   | CHOKE COIL                      | (EG)    |
| D724    | 1N5402BM21  | DIODE                   | ⚠       | S964    | EVQ21405R    | SW, VCR1                  |         | L103    | ELEXP47MA9   | CHOKE COIL                      |         |
| D751    | 1SR35200TB  | DIODE                   | ⚠       | S970    | EVQ21405R    | SW, SIMULATED             |         | L105    | RLQZB822KT-D | TAPING COIL                     |         |
| D752    | 1SR35200TB  | DIODE                   | ⚠       | S971    | EVQ21405R    | SW, THEATER               |         | L106    | RLQZB822KT-D | TAPING COIL                     |         |
| D753    | 1SR35200TB  | DIODE                   | ⚠       | S972    | EVQ21405R    | SW, LIVE                  |         | L151    | SLM1B10-1M   | COIL                            |         |
| D754    | 1SR35200TB  | DIODE                   | ⚠       | S973    | EVQ21405R    | SW, CLUB                  |         | L191    | ELESNR68MA   | CHOKE COIL                      | (EB)(E) |
| D755    | RVD1SS133TA | DIODE                   | ⚠       | S974    | EVQ21405R    | SW, HALL                  |         | L191    | ELESNR56MA   | CHOKE COIL                      | (EG)    |
| D756    | MTZJ6R8BTA  | DIODE                   | ⚠       | S980    | EVQ21405R    | SW, SPEAKERS              |         | L501    | RLQZP1R0KT-Y | AXIAL COIL                      |         |
| D771    | RVD1SS133TA | DIODE                   |         | S983    | EVQ21405R    | SW, OFF/ON                |         | L502    | RLQZP1R0KT-Y | AXIAL COIL                      |         |
| D772    | MTZJ6R8BTA  | DIODE                   |         | S984    | EVQ21405R    | SW, PRO LOGIC             |         | L601    | RLQYR73M     | CHOKE COIL                      |         |
| D773    | RVD1SS133TA | DIODE                   |         | S985    | EVQ21405R    | SW, CENTER MODE           |         | L602    | RLQYR73M     | CHOKE COIL                      |         |
| D901    | 1SS291TA    | DIODE                   |         |         |              |                           |         | L651    | RLQYR73M     | CHOKE COIL                      |         |
| D903    | MTZJ4R7BTA  | DIODE                   |         |         |              | <b>CONNECTORS</b>         |         | L652    | RLQYR73M     | CHOKE COIL                      |         |
| D905    | RVD1SS133TA | DIODE                   | (EB)(E) |         |              |                           |         | L701    | SLQZ650MH49  | AC LINE COIL                    | ⚠       |
| D907    | RVD1SS133TA | DIODE                   |         | CN101   | RJU057W007   | CONNECTOR (7P)            |         | L751    | RLQB101KTA-Y | CHOKE COIL                      |         |
| D921    | RVD1SS133TA | DIODE                   |         | CN102   | RJU057W007   | CONNECTOR (7P)            |         | L901    | RLQB101KTA-Y | CHOKE COIL                      |         |
| D923    | RVD1SS133TA | DIODE                   |         | CN401   | RJU100W07    | 7P CONNECTOR              | [MAV]   | L902    | RLQZP101KT-Y | AXIAL COIL                      |         |
| D924    | MTZJ3R9ATA  | DIODE                   |         | CN402   | RJU100W07    | 7P CONNECTOR              | [MAV]   | L1051   | RLQB101KTA-Y | CHOKE COIL                      |         |
| D925    | MA723TA     | DIODE                   |         | CN501   | RJU100W07    | 7P CONNECTOR              | [MAV]   | T701    | RTP1P5E025-V | POWER TRANSFORMER               | [MAV]⚠  |
| D929    | LN846RPH    | DIODE                   |         | CN502   | RJU100W04    | SOCKET (4P)               | [MAV]   | T751    | RTP1I5E006   | POWER TRANSFORMER               | ⚠       |
| D930    | LN41YCPHL   | DIODE                   |         | CN701   | SJS702-1     | 7P CONNECTOR              |         |         |              |                                 |         |

| Ref No. | Part No.     | Part Name & Description      | Remarks | Ref No. | Part No.   | Part Name & Description | Remarks | Ref No. | Part No.     | Part Name & Description  | Remarks   |
|---------|--------------|------------------------------|---------|---------|------------|-------------------------|---------|---------|--------------|--------------------------|-----------|
|         |              | <b>COMPONENT COMBINATION</b> |         |         |            | <b>FUSES</b>            |         |         |              | <b>HEADPHONE</b>         |           |
| Z101    | RLA6Z005M-T  | AM ANT/OSC                   | (EB)(E) | F1      | XBA2C20TBO | FUSE                    | ⚠       | HP601   | RJJ63TS01    | HEADPHONES JACK          |           |
| Z101    | RLA2Z002M-T  | AM ANT. COIL                 | (EG)    |         |            |                         |         |         |              |                          |           |
| Z102    | RLI2Z006M-T  | AM IFT                       |         |         |            | <b>FUSE CLIPS</b>       |         |         |              | <b>EARTH TERMINAL</b>    |           |
| Z120    | ENV17290G1R  | FM TUNER PACK                |         |         |            |                         |         |         |              |                          |           |
| Z751    | ERZV10V511CS | ZNR                          | ⚠       | FC701   | RJR0169T   | FUSE HOLDER             | [M]     | E401    | SNE1004-2    | EARTH TERMINAL           |           |
| Z891    | RCDSFS4242N  | REMOTE SENSOR                |         | FC702   | RJR0169T   | FUSE HOLDER             | [M]     | E601    | SNE1004-2    | EARTH TERMINAL           |           |
|         |              | <b>CERAMIC FILTERS</b>       |         |         |            | <b>JACKS</b>            |         |         |              | <b>PACKING MATERIALS</b> |           |
| CF201   | RLFFETNGD01L | CERAMIC FILTER               |         | JK101   | RJH4202    | ANT TERMINAL            |         | P1      | SPSD152      | ACCESSORY CASE           |           |
| CF202   | RLFFETMGD01L | CERAMIC FILTER               |         | JK351   | SJF3069-3N | RCA PIN JACK            |         | P2      | RPFX0005     | MIRAMAT BAG              | [M]       |
| CF901   | RVBCST4R00MT | CERAMIC CAPACITOR            |         | JK401   | SJF3068-7N | RCA TERMINAL            |         | P3      | RPG3054-1    | GIFT BOX                 | [MAV]     |
| CF902   | RSXZ456KM07M | CERAMIC OSCILLATOR           |         | JK402   | SJF3069N   | LINE IN JACK            |         | P4      | RPN0865      | POLYFOAM                 | [M]       |
| CF1051  | EF0EC8004T4  | CERAMIC OSCILLATOR           |         | JK403   | SJF3069N   | LINE IN JACK            |         |         |              |                          |           |
|         |              | <b>OSCILLATORS</b>           |         | JK404   | SJF3069N   | LINE IN JACK            |         |         |              | <b>ACCESSORIES</b>       |           |
|         |              |                              |         | JK405   | SJFD7      | FM MULTI OUT            |         |         |              |                          |           |
| X101    | RSXZ456KM07M | CERAMIC OSCILLATOR           |         | JK601   | RJH5601    | SP TERMINAL             |         | A1      | RAK-SA612WHP | REMOTE CON. UNIT         | [MAV]     |
| X102    | RLFDGTD01I   | FM REZONATOR                 |         | JK603   | RJR0054    | SP TERMINAL             |         | A1-1    | RKK0020      | REMOTE CON. COVER        |           |
| X103    | SVQ49U722T-S | CRYSTAC OSCILLIATOR          |         | JK791   | SJS9236    | SOCKET                  | ⚠       | A2      | RSA0010      | AM LOOP ANT              |           |
|         |              | <b>DISPLAY TUBE</b>          |         |         |            | <b>RELAYS</b>           |         | A3      | VJA0733      | AC-CORD (SF) ⚠           | [VRD](EB) |
|         |              |                              |         |         |            |                         |         | A3      | RJA0019-2K   | AC CORD (SF) ⚠           | (EG)(E) ⚠ |
| FL901   | RSL0213-F    | FL DISPLAY                   | [MAV]   | RL601   | RSY0013M-0 | 24V RELAY               |         | A4      | RSA0007      | FM ANTENA                |           |
|         |              |                              |         | RL603   | RSY0013M-0 | 24V RELAY               |         | A5      | RFKSAEX500EK | INSTR. MANUAL ASS'Y      | [MAV](E)  |
|         |              |                              |         | RL751   | RSY0019M-0 | 12V TV-5 RELAY          | ⚠       | A5      | RFKSAEX500EB | INSTR. MANUAL ASS'Y      | [MAV](EB) |
|         |              |                              |         |         |            |                         |         | A5      | RFKSAEX500EG | INSTR. MANUAL ASS'Y      | [MAV](EG) |
|         |              |                              |         |         |            |                         |         | A6      | SJP9009      | ANT ADAPTER              | (EB)      |

## ■ Resistors & Capacitors

Notes : \* Important safety notice:

Components identified by ⚠ mark have special characteristics important for safety.

Furthermore, special parts which have purposes of fire-retardant (resistors), high-quality sound (capacitors), low-noise (resistors), etc. are used.

When replacing any of components, be sure to use only manufacturer's specified parts shown in the parts list.

\* Capacitor values are in microfarad (μF) unless specified otherwise, P=Pico-farads (pF) F=Farads (F)


\* Resistors values are in ohms, unless specified otherwise, 1k=1,000(OHM), 1M=1,000k(OHM)

| Ref No. | Part No.    | Values & Remarks | Ref No. | Part No.    | Values & Remarks | Ref No. | Part No.    | Values & Remarks | Ref No. | Part No.    | Values & Remarks |
|---------|-------------|------------------|---------|-------------|------------------|---------|-------------|------------------|---------|-------------|------------------|
|         |             | <b>RESISTORS</b> | R115    | ERDS2TJ561T | 560 1/4W         | R127    | ERDS2TJ103T | 10K 1/4W         | R139    | ERDS2TJ272T | 2.7K 1/4W        |
|         |             |                  | R116    | ERDS2TJ102T | 1K 1/4W          | R128    | ERDS2TJ820T | 82 1/4W          | R140    | ERDS2TJ272T | 2.7K 1/4W        |
| R103    | ERDS2TJ101T | 100 1/4W         | R117    | ERDS2TJ473T | 47K 1/4W         | R129    | ERDS2TJ473T | 47K 1/4W         | R141    | ERDS2TJ102T | 1K 1/4W          |
| R104    | ERDS2TJ102T | 1K 1/4W          | R118    | ERDS2TJ562T | 5.6K 1/4W        | R130    | ERDS2TJ102T | 1K 1/4W          | R142    | ERDS2TJ102T | 1K 1/4W          |
| R105    | ERDS2TJ471T | 470 1/4W         | R119    | ERDS2TJ183T | 18K 1/4W         | R131    | ERDS2TJ102T | 1K 1/4W          | R143    | ERDS2TJ222T | 2.2K 1/4W        |
| R106    | ERDS2TJ224T | 220K 1/4W        | R120    | ERDS2TJ473T | 47K 1/4W         | R132    | ERDS2TJ103T | 10K 1/4W         | R144    | ERDS2TJ222T | 2.2K 1/4W        |
| R107    | ERDS2TJ471T | 470 1/4W         | R121    | ERDS2TJ332T | 3.3K 1/4W        | R133    | ERDS2TJ102T | 1K 1/4W          | R145    | ERDS2TJ102T | 1K 1/4W(EB)(E)   |
| R110    | ERDS2TJ102T | 1K 1/4W          | R122    | ERDS2TJ272T | 2.7K 1/4W        | R134    | ERDS2TJ102T | 1K 1/4W          | R145    | ERDS2TJ561T | 560 1/4W(EG)     |
| R112    | ERDS2TJ104T | 100K 1/4W        | R124    | ERDS2TJ271T | 270 1/4W         | R135    | ERDS2TJ102T | 1K 1/4W          | R146    | ERDS2TJ102T | 1K 1/4W(EB)(E)   |
| R113    | ERDS2TJ103T | 10K 1/4W         | R125    | ERDS2TJ472T | 4.7K 1/4W        | R136    | ERDS2TJ102T | 1K 1/4W          | R146    | ERDS2TJ561T | 560 1/4W(EG)     |
| R114    | ERDS2TJ562T | 5.6K 1/4W        | R126    | ERDS2TJ472T | 4.7K 1/4W        | R137    | ERDS2TJ102T | 1K 1/4W          | R147    | ERDS2TJ474T | 470K 1/4W        |

| Ref No. | Part No.     | Values & Remarks | Ref No. | Part No.     | Values & Remarks  | Ref No. | Part No.    | Values & Remarks | Ref No. | Part No.     | Values & Remarks |
|---------|--------------|------------------|---------|--------------|-------------------|---------|-------------|------------------|---------|--------------|------------------|
| R148    | ERDS2TJ474T  | 470K 1/4W        | R426    | ERDS2TJ103T  | 10K 1/4W          | R530    | ERDS2TJ273T | 27K 1/4W         | R611    | ERDS1FVJ100T | 10 1/2W $\Delta$ |
| R149    | ERDS2TJ680T  | 68 1/4W          | R427    | ERDS2TJ103T  | 10K 1/4W          | R531    | ERDS2TJ332T | 3.3K 1/4W        | R612    | ERDS1FVJ100T | 10 1/2W $\Delta$ |
| R171    | ERDS2TJ102T  | 1K 1/4W          | R440    | ERDS1FVJ820T | 82 1/2W $\Delta$  | R532    | ERDS2TJ332T | 3.3K 1/4W        | R613    | ERDS2TJ102T  | 1K 1/4W          |
| R172    | ERDS2TJ102T  | 1K 1/4W          | R441    | ERDS2TJ473T  | 47K 1/4W          | R533    | ERDS2TJ224T | 220K 1/4W        | R614    | ERDS2TJ102T  | 1K 1/4W          |
| R173    | ERDS2TJ471T  | 470 1/4W         | R442    | ERDS2TJ473T  | 47K 1/4W          | R534    | ERDS2TJ224T | 220K 1/4W        | R615    | ERDS2TJ184T  | 180K 1/4W        |
| R175    | ERDS2TJ102T  | 1K 1/4W          | R443    | ERDS2TJ330T  | 33 1/4W           | R537    | ERDS2TJ103T | 10K 1/4W         | R616    | ERDS2TJ154T  | 150K 1/4W        |
| R176    | ERDS2TJ391T  | 390 1/4W         | R451    | ERDS2TJ224T  | 220K 1/4W         | R538    | ERDS2TJ103T | 10K 1/4W         | R617    | ERDS2TJ473T  | 47K 1/4W         |
| R181    | ERDS2TJ332T  | 3.3K 1/4W        | R452    | ERDS2TJ224T  | 220K 1/4W         | R539    | ERDS2TJ472T | 4.7K 1/4W        | R618    | ERDS2TJ473T  | 47K 1/4W         |
| R191    | ERDS2TJ103T  | 10K 1/4W(EB)(E)  | R453    | ERDS2TJ391T  | 390 1/4W          | R540    | ERDS2TJ472T | 4.7K 1/4W        | R619    | ERDS2TJ223T  | 22K 1/4W         |
| R192    | ERDS2TJ122T  | 1.2K 1/4W(EB)(E) | R454    | ERDS2TJ391T  | 390 1/4W          | R541    | ERDS2TJ222T | 2.2K 1/4W        | R620    | ERD25FVJ220T | 22 1/4W          |
| R193    | ERDS2TJ182T  | 1.8K 1/4W(EB)(E) | R455    | ERDS2TJ563T  | 56K 1/4W          | R542    | ERDS2TJ222T | 2.2K 1/4W        | R621    | ERDS2TJ473T  | 47K 1/4W         |
| R194    | ERDS2TJ122T  | 1.2K 1/4W(EB)(E) | R456    | ERDS2TJ563T  | 56K 1/4W          | R543    | ERDS2TJ102T | 1K 1/4W          | R622    | ERDS2TJ224T  | 220K 1/4W        |
| R195    | ERDS2TJ222T  | 2.2K 1/4W(EB)(E) | R457    | ERDS2TJ271T  | 270 1/4W          | R544    | ERDS2TJ102T | 1K 1/4W          | R623    | ERDS2TJ684T  | 680K 1/4W        |
| R351    | ERDS2TJ680T  | 68 1/4W          | R458    | ERDS2TJ271T  | 270 1/4W          | R545    | ERDS2TJ684T | 680K 1/4W        | R624    | ERDS2TJ124T  | 120K 1/4W        |
| R352    | ERDS2TJ680T  | 68 1/4W          | R459    | ERDS2TJ680T  | 68 1/4W           | R546    | ERDS2TJ103T | 10K 1/4W         | R625    | ERDS2TJ124T  | 120K 1/4W        |
| R353    | ERDS2TJ103T  | 10K 1/4W         | R460    | ERDS2TJ680T  | 68 1/4W           | R551    | ERDS2TJ102T | 1K 1/4W          | R626    | ERDS2TJ682T  | 6.8K 1/4W        |
| R354    | ERDS2TJ103T  | 10K 1/4W         | R461    | ERDS2TJ184T  | 180K 1/4W         | R552    | ERDS2TJ102T | 1K 1/4W          | R627    | ERDS2TJ222T  | 2.2K 1/4W        |
| R355    | ERDS2TJ750T  | 75 1/4W          | R462    | ERDS2TJ184T  | 180K 1/4W         | R553    | ERDS2TJ104T | 100K 1/4W        | R628    | ERD2FCVG391T | 390 1/4W(MAV)    |
| R356    | ERDS2TJ750T  | 75 1/4W          | R463    | ERDS2TJ123T  | 12K 1/4W          | R554    | ERDS2TJ104T | 100K 1/4W        | R629    | ERD25FVJ390T | 39 1/4W          |
| R357    | ERDS2TJ102T  | 1K 1/4W          | R464    | ERDS2TJ123T  | 12K 1/4W          | R555    | ERDS2TJ223T | 22K 1/4W         | R630    | ERD25FVJ390T | 39 1/4W          |
| R358    | ERDS2TJ102T  | 1K 1/4W          | R465    | ERDS2TJ563T  | 56K 1/4W          | R556    | ERDS2TJ223T | 22K 1/4W         | R631    | ERDS2TJ274T  | 270K 1/4W        |
| R359    | ERDS2TJ182T  | 1.8K 1/4W        | R466    | ERDS2TJ563T  | 56K 1/4W          | R557    | ERDS2TJ681T | 680 1/4W         | R632    | ERDS2TJ223T  | 22K 1/4W         |
| R360    | ERDS2TJ182T  | 1.8K 1/4W        | R467    | ERDS2TJ102T  | 1K 1/4W           | R558    | ERDS2TJ681T | 680 1/4W         | R633    | ERDS2TJ333T  | 33K 1/4W         |
| R361    | ERD2FCVG220T | 22 1/4W          | R468    | ERDS2TJ102T  | 1K 1/4W           | R561    | ERDS2TJ272T | 2.7K 1/4W        | R634    | ERDS2TJ333T  | 33K 1/4W         |
| R362    | ERD2FCVG220T | 22 1/4W          | R469    | ERDS2TJ102T  | 1K 1/4W           | R562    | ERDS2TJ272T | 2.7K 1/4W        | R635    | ERDS2TJ183T  | 18K 1/4W         |
| R401    | ERDS2TJ102T  | 1K 1/4W          | R470    | ERDS2TJ102T  | 1K 1/4W           | R564    | ERDS2TJ103T | 10K 1/4W         | R636    | ERDS2TJ681T  | 680 1/4W         |
| R402    | ERDS2TJ102T  | 1K 1/4W          | R501    | ERDS2TJ222T  | 2.2K 1/4W         | R565    | ERDS2TJ102T | 1K 1/4W          | R637    | ERG1SJ101E   | 100 1W $\Delta$  |
| R405    | ERDS2TJ102T  | 1K 1/4W          | R502    | ERDS2TJ222T  | 2.2K 1/4W         | R566    | ERDS2TJ102T | 1K 1/4W          | R638    | ERG1SJ101E   | 100 1W $\Delta$  |
| R406    | ERDS2TJ102T  | 1K 1/4W          | R508    | ERDS1FVJ2R2T | 2.2 1/2W $\Delta$ | R583    | ERDS2TJ102T | 1K 1/4W          | R639    | ERG1SJ101E   | 100 1W $\Delta$  |
| R407    | ERDS2TJ102T  | 1K 1/4W          | R511    | ERDS2TJ471T  | 470 1/4W          | R584    | ERDS2TJ102T | 1K 1/4W          | R640    | ERG1SJ101E   | 100 1W $\Delta$  |
| R408    | ERDS2TJ102T  | 1K 1/4W          | R512    | ERDS2TJ471T  | 470 1/4W          | R585    | ERDS2TJ102T | 1K 1/4W          | R641    | ERDS2TJ684T  | 680K 1/4W        |
| R409    | ERDS2TJ102T  | 1K 1/4W          | R513    | ERDS2TJ474T  | 470K 1/4W         | R586    | ERDS2TJ102T | 1K 1/4W          | R642    | ERDS2TJ224T  | 220K 1/4W        |
| R410    | ERDS2TJ102T  | 1K 1/4W          | R514    | ERDS2TJ474T  | 470K 1/4W         | R587    | ERDS2TJ102T | 1K 1/4W          | R643    | ERDS2TJ102T  | 1K 1/4W          |
| R411    | ERDS2TJ102T  | 1K 1/4W          | R515    | ERDS2TJ474T  | 470K 1/4W         | R588    | ERDS2TJ102T | 1K 1/4W          | R647    | ERDS2TJ221T  | 220 1/4W         |
| R412    | ERDS2TJ102T  | 1K 1/4W          | R516    | ERDS2TJ474T  | 470K 1/4W         | R589    | ERDS2TJ392T | 3.9K 1/4W        | R648    | ERDS2TJ221T  | 220 1/4W         |
| R413    | ERDS2TJ102T  | 1K 1/4W          | R517    | ERDS2TJ332T  | 3.3K 1/4W         | R590    | ERDS2TJ473T | 47K 1/4W         | R651    | ERDS2TJ102T  | 1K 1/4W          |
| R414    | ERDS2TJ102T  | 1K 1/4W          | R518    | ERDS2TJ332T  | 3.3K 1/4W         | R591    | ERDS2TJ222T | 2.2K 1/4W        | R652    | ERDS2TJ102T  | 1K 1/4W          |
| R415    | ERDS2TJ102T  | 1K 1/4W          | R519    | ERDS2TJ182T  | 1.8K 1/4W         | R592    | ERDS2TJ222T | 2.2K 1/4W        | R653    | ERDS2TJ563T  | 56K 1/4W         |
| R416    | ERDS2TJ102T  | 1K 1/4W          | R520    | ERDS2TJ182T  | 1.8K 1/4W         | R601    | ERDS2TJ102T | 1K 1/4W          | R654    | ERDS2TJ563T  | 56K 1/4W         |
| R417    | ERDS2TJ473T  | 47K 1/4W         | R521    | ERDS2TJ223T  | 22K 1/4W          | R602    | ERDS2TJ102T | 1K 1/4W          | R655    | ERDS2TJ182T  | 1.8K 1/4W        |
| R418    | ERDS2TJ473T  | 47K 1/4W         | R522    | ERDS2TJ223T  | 22K 1/4W          | R603    | ERDS2TJ563T | 56K 1/4W         | R656    | ERDS2TJ182T  | 1.8K 1/4W        |
| R419    | ERDS2TJ104T  | 100K 1/4W        | R523    | ERDS2TJ392T  | 3.9K 1/4W         | R604    | ERDS2TJ563T | 56K 1/4W         | R657    | ERDS2TJ563T  | 56K 1/4W         |
| R420    | ERDS2TJ104T  | 100K 1/4W        | R524    | ERDS2TJ392T  | 3.9K 1/4W         | R605    | ERDS2TJ182T | 1.8K 1/4W        | R658    | ERDS2TJ563T  | 56K 1/4W         |
| R421    | ERDS2TJ104T  | 100K 1/4W        | R525    | ERDS2TJ222T  | 2.2K 1/4W         | R606    | ERDS2TJ182T | 1.8K 1/4W        | R659    | ERDS2TJ470T  | 47 1/4W          |
| R422    | ERDS2TJ104T  | 100K 1/4W        | R526    | ERDS2TJ222T  | 2.2K 1/4W         | R607    | ERDS2TJ563T | 56K 1/4W         | R660    | ERDS2TJ470T  | 47 1/4W          |
| R423    | ERDS2TJ102T  | 1K 1/4W          | R527    | ERDS2TJ122T  | 1.2K 1/4W         | R608    | ERDS2TJ563T | 56K 1/4W         | R661    | ERDS1FVJ100T | 10 1/2W $\Delta$ |
| R424    | ERDS2TJ102T  | 1K 1/4W          | R528    | ERDS2TJ122T  | 1.2K 1/4W         | R609    | ERDS2TJ470T | 47 1/4W          | R662    | ERDS1FVJ100T | 10 1/2W $\Delta$ |
| R425    | ERDS2TJ103T  | 10K 1/4W         | R529    | ERDS2TJ273T  | 27K 1/4W          | R610    | ERDS2TJ470T | 47 1/4W          | R663    | ERDS2TJ102T  | 1K 1/4W          |

| Ref No. | Part No.     | Values & Remarks  | Ref No. | Part No.     | Values & Remarks  | Ref No. | Part No.    | Values & Remarks | Ref No. | Part No.     | Values & Remarks |
|---------|--------------|-------------------|---------|--------------|-------------------|---------|-------------|------------------|---------|--------------|------------------|
| R664    | ERDS2TJ102T  | 1K 1/4W           | R717    | ERDS1FVJ3R3T | 3.3 1/2W $\Delta$ | R930    | ERDS2TJ101T | 100 1/4W         | R1056   | ERDS2TJ153T  | 15K 1/4W         |
| R665    | ERDS2TJ154T  | 150K 1/4W         | R718    | ERDS1FVJ3R3T | 3.3 1/2W $\Delta$ | R941    | ERDS2TJ472T | 4.7K 1/4W        | R1061   | ERDS2TJ222T  | 2.2K 1/4W        |
| R666    | ERDS2TJ184T  | 180K 1/4W         | R719    | ERDS1FVJ3R3T | 3.3 1/2W $\Delta$ | R946    | ERDS2TJ103T | 10K 1/4W         | R1062   | ERDS2TJ273T  | 27K 1/4W         |
| R667    | ERDS2TJ473T  | 47K 1/4W          | R720    | ERDS1FVJ3R3T | 3.3 1/2W $\Delta$ | R947    | ERDS2TJ103T | 10K 1/4W         | R1063   | ERDS2TJ332T  | 3.3K 1/4W        |
| R668    | ERDS2TJ473T  | 47K 1/4W          | R721    | ERD25FVJ331T | 330 1/4W          | R948    | ERDS2TJ103T | 10K 1/4W         | R1081   | ERDS2TJ104T  | 100K 1/4W        |
| R669    | ERDS2TJ223T  | 22K 1/4W          | R722    | ERDS2TJ123T  | 12K 1/4W          | R949    | ERDS2TJ103T | 10K 1/4W         | R1082   | ERDS2TJ474T  | 470K 1/4W        |
| R670    | ERD25FVJ220T | 22 1/4W           | R723    | ERDS1FVJ100T | 10 1/2W $\Delta$  | R950    | ERDS2TJ102T | 1K 1/4W          |         |              |                  |
| R671    | ERDS2TJ473T  | 47K 1/4W          | R724    | ERDS1FVJ100T | 10 1/2W $\Delta$  | R951    | ERDS2TJ122T | 1.2K 1/4W        |         |              | CAPACITORS       |
| R672    | ERDS2TJ274T  | 270K 1/4W         | R725    | ERDS2TJ681T  | 680 1/4W          | R952    | ERDS2TJ152T | 1.5K 1/4W        |         |              |                  |
| R673    | ERDS2TJ684T  | 680K 1/4W         | R726    | ERD25FVJ331T | 330 1/4W          | R953    | ERDS2TJ182T | 1.8K 1/4W        | C1      | ECKR1H473ZF5 | 0.047 50V        |
| R674    | ERDS2TJ563T  | 56K 1/4W          | R727    | ERD25FVJ331T | 330 1/4W          | R954    | ERDS2TJ222T | 2.2K 1/4W        | C2      | ECKR1H473ZF5 | 0.047 50V        |
| R675    | ERDS2TJ563T  | 56K 1/4W          | R730    | ERDS1FVJ4R7T | 4.7 1/2W $\Delta$ | R955    | ERDS2TJ332T | 3.3K 1/4W        | C101    | ECBT1C103NS5 | 0.01 16V         |
| R676    | ERDS2TJ682T  | 6.8K 1/4W         | R754    | ERDS2TJ102T  | 1K 1/4W           | R956    | ERDS2TJ472T | 4.7K 1/4W        | C103    | ECBT1C103NS5 | 0.01 16V         |
| R677    | ERDS2TJ222T  | 2.2K 1/4W         | R772    | ERDS2TJ104T  | 100K 1/4W         | R957    | ERDS2TJ682T | 6.8K 1/4W        | C104    | ECBT1H102KB5 | 1000P 50V        |
| R678    | ERD2FCVG391T | 390 1/4W[MAV]     | R773    | ERDS2TJ103T  | 10K 1/4W          | R958    | ERDS2TJ123T | 12K 1/4W         | C105    | ECBT1H470J5  | 47P 50V          |
| R679    | ERD25FVJ470T | 47 1/4W           | R774    | ERDS2TJ223T  | 22K 1/4W          | R960    | ERDS2TJ102T | 1K 1/4W          | C106    | ECBT1C103NS5 | 0.01 16V         |
| R680    | ERD25FVJ470T | 47 1/4W           | R775    | ERDS2TJ472T  | 4.7K 1/4W         | R961    | ERDS2TJ122T | 1.2K 1/4W        | C107    | ECBT1H473ZF5 | 0.047 50V        |
| R681    | ERDS2TJ270T  | 27 1/4W           | R777    | ERDS2TJ220T  | 22 1/4W           | R962    | ERDS2TJ152T | 1.5K 1/4W        | C108    | ECBT1H100JC5 | 10P 50V[EB][E]   |
| R682    | ERDS2TJ270T  | 27 1/4W           | R778    | ERDS2TJ222T  | 2.2K 1/4W         | R963    | ERDS2TJ182T | 1.8K 1/4W        | C108    | ECBT1H8R2KC5 | 8.2P 50V EG      |
| R683    | ERDS2TJ270T  | 27 1/4W           | R779    | ERDS2TJ103T  | 10K 1/4W          | R964    | ERDS2TJ222T | 2.2K 1/4W        | C109    | ECBT1C103NS5 | 0.01 16V         |
| R684    | ERDS2TJ270T  | 27 1/4W           | R780    | ERDS2TJ473T  | 47K 1/4W          | R970    | ERDS2TJ102T | 1K 1/4W          | C110    | ECBT1C103NS5 | 0.01 16V         |
| R685    | ERDS2TJ270T  | 27 1/4W           | R781    | ERDS2TJ473T  | 47K 1/4W          | R971    | ERDS2TJ122T | 1.2K 1/4W        | C111    | ECEA1EKA4R7B | 4.7 25V          |
| R686    | ERDS2TJ270T  | 27 1/4W           | R782    | ERDS2TJ153T  | 15K 1/4W          | R972    | ERDS2TJ152T | 1.5K 1/4W        | C112    | ECBT1C103NS5 | 0.01 16V         |
| R687    | ERDS2TJ270T  | 27 1/4W           | R783    | ERDS2TJ103T  | 10K 1/4W          | R973    | ERDS2TJ182T | 1.8K 1/4W        | C113    | ECBT1H102KB5 | 1000P 50V        |
| R688    | ERDS2TJ270T  | 27 1/4W           | R784    | ERDS2TJ335T  | 3.3M 1/4W         | R974    | ERDS2TJ222T | 2.2K 1/4W        | C114    | ECEA1HKA3R3B | 3.3 50V          |
| R689    | ERDS2TJ270T  | 27 1/4W           | R791    | ERDS2TJ223T  | 22K 1/4W          | R980    | ERDS2TJ102T | 1K 1/4W          | C115    | ECEA1EKA4R7B | 4.7 25V          |
| R690    | ERDS2TJ270T  | 27 1/4W           | R792    | ERDS2TJ223T  | 22K 1/4W          | R981    | ERDS2TJ122T | 1.2K 1/4W        | C116    | ECBT1C822MS5 | 8200P 16V        |
| R691    | ERDS2TJ270T  | 27 1/4W           | R795    | ERDS2TJ223T  | 22K 1/4W          | R982    | ERDS2TJ152T | 1.5K 1/4W        | C117    | ECQB1H471JF3 | 470P 50V         |
| R692    | ERDS2TJ270T  | 27 1/4W           | R796    | ERDS2TJ223T  | 22K 1/4W          | R983    | ERDS2TJ182T | 1.8K 1/4W        | C118    | ECQB1H103JF3 | 0.01 50V         |
| R693    | ERDS2TJ270T  | 27 1/4W           | R797    | ERDS2TJ682T  | 6.8K 1/4W         | R984    | ERDS2TJ222T | 2.2K 1/4W        | C119    | ECQB1H103JF3 | 0.01 50V         |
| R694    | ERDS2TJ270T  | 27 1/4W           | R901    | ERDS2TJ102T  | 1K 1/4W           | R985    | ERDS2TJ822T | 8.2K 1/4W        | C120    | ECEA1HKA010B | 1 50V            |
| R695    | ERDS2TJ102T  | 1K 1/4W           | R906    | ERDS2TJ104T  | 100K 1/4W         | R1001   | ERDS2TJ102T | 1K 1/4W          | C121    | ECEA1HKA010B | 1 50V            |
| R696    | ERDS2TJ102T  | 1K 1/4W           | R907    | ERDS2TJ104T  | 100K 1/4W         | R1002   | ERDS2TJ102T | 1K 1/4W          | C122    | ECEA1HKA2R2B | 2.2 50V          |
| R697    | ERDS2TJ221T  | 220 1/4W          | R908    | ERDS2TJ104T  | 100K 1/4W         | R1003   | ERDS2TJ102T | 1K 1/4W          | C123    | ECEA1HKA010B | 1 50V            |
| R698    | ERDS2TJ221T  | 220 1/4W          | R909    | ERDS2TJ104T  | 100K 1/4W         | R1004   | ERDS2TJ102T | 1K 1/4W          | C124    | ECBT1H102KB5 | 1000P 50V        |
| R699    | ERDS2TJ332T  | 3.3K 1/4W         | R910    | ERDS2TJ102T  | 1K 1/4W           | R1005   | ERDS2TJ203T | 20K 1/4W         | C125    | ECBT1H150JC5 | 15P 50V          |
| R703    | ERDS1FVJ3R9T | 3.9 1/2W $\Delta$ | R911    | ERDS2TJ104T  | 100K 1/4W         | R1007   | ERDS2TJ473T | 47K 1/4W         | C126    | ECBT1H104ZF5 | 0.1 50V          |
| R704    | ERDS1FVJ3R9T | 3.9 1/2W $\Delta$ | R912    | ERDS2TJ103T  | 10K 1/4W          | R1008   | ERDS2TJ473T | 47K 1/4W         | C127    | ECEA1CKA220B | 22 16V           |
| R705    | ERDS2TJ472T  | 4.7K 1/4W         | R914    | ERDS2TJ274T  | 270K 1/4W         | R1009   | ERDS2TJ332T | 3.3K 1/4W        | C128    | ECBT1C103NS5 | 0.01 16V         |
| R706    | ERDS2TJ102T  | 1K 1/4W           | R917    | ERDS2TJ103T  | 10K 1/4W          | R1010   | ERDS2TJ332T | 3.3K 1/4W        | C129    | ECEA0JKA101B | 100 6.3V         |
| R707    | ERD25FVJ221T | 220 1/4W          | R920    | ERDS2TJ271T  | 270 1/4W          | R1011   | ERDS2TJ332T | 3.3K 1/4W        | C130    | ECEA0JKA101B | 100 6.3V         |
| R708    | ERDS2TJ472T  | 4.7K 1/4W         | R921    | ERDS2TJ121T  | 120 1/4W          | R1012   | ERDS2TJ102T | 1K 1/4W          | C131    | ECBT1C103NS5 | 0.01 16V         |
| R709    | ERDS2TJ1R5T  | 1.5 1/4W          | R922    | ERDS2TJ472T  | 4.7K 1/4W         | R1013   | ERDS2TJ103T | 10K 1/4W         | C132    | ECBT1H102KB5 | 1000P 50V        |
| R710    | ERDS2TJ1R5T  | 1.5 1/4W          | R923    | ERDS2TJ104T  | 100K 1/4W         | R1014   | ERDS2TJ104T | 100K 1/4W        | C133    | ECBT1H150JC5 | 15P 50V          |
| R711    | ERDS2TJ752T  | 7.5K 1/4W         | R924    | ERDS2TJ333T  | 33K 1/4W          | R1051   | ERDS2TJ393T | 39K 1/4W         | C134    | ECBT1H180JC5 | 18P 50V          |
| R712    | ERDS2TJ682T  | 6.8K 1/4W         | R927    | ERDS2TJ181T  | 180 1/4W          | R1052   | ERDS2TJ105T | 1M 1/4W          | C135    | ECBT1C103MS5 | 0.01 16V         |
| R715    | ERDS2TJ182T  | 1.8K 1/4W         | R928    | ERDS2TJ151T  | 150 1/4W          | R1053   | ERDS2TJ102T | 1K 1/4W          | C136    | ECBT1C103MS5 | 0.01 16V         |
| R716    | ERD2FCVJ6R8T | 6.8 1/4W          | R929    | ERDS2TJ101T  | 100 1/4W          | R1055   | ERDS2TJ224T | 220K 1/4W        | C137    | ECBT1H561KB5 | 560P 50V         |

| Ref No. | Part No.     | Values & Remarks | Ref No. | Part No.     | Values & Remarks | Ref No. | Part No.     | Values & Remarks | Ref No. | Part No.     | Values & Remarks |
|---------|--------------|------------------|---------|--------------|------------------|---------|--------------|------------------|---------|--------------|------------------|
| C138    | ECBT1H561KB5 | 560P 50V         | C421    | ECBT1H331KB5 | 330P 50V         | C526    | ECQV1H683JZ3 | 0.068 50V        | C635    | ECKR1H103ZF5 | 0.01 50V         |
| C139    | ECQB1H682JF3 | 6800P 50V        | C422    | ECBT1H331KB5 | 330P 50V         | C527    | ECBT1C562KR5 | 5600P 16V        | C636    | ECKR1H103ZF5 | 0.01 50V         |
| C140    | ECQB1H682JF3 | 6800P 50V        | C423    | ECBT1H101KB5 | 100P 50V         | C528    | ECBT1C562KR5 | 5600P 16V        | C637    | ECKR1H223ZF5 | 0.022 50V        |
| C141    | ECEA1HKA010B | 1 50V            | C424    | ECBT1H101KB5 | 100P 50V         | C529    | ECQB1H273JF3 | 0.027 50V        | C638    | ECKR1H223ZF5 | 0.022 50V        |
| C142    | ECEA1HKA010B | 1 50V            | C425    | ECBT1H101KB5 | 100P 50V         | C530    | ECQB1H273JF3 | 0.027 50V        | C641    | ECEA1HKN010B | 1 50V            |
| C143    | ECEA1HKA010B | 1 50V            | C426    | ECBT1H101KB5 | 100P 50V         | C531    | ECBT1E103ZF5 | 0.01 25V         | C642    | ECEA1VKA4R7B | 4.7 10V          |
| C144    | ECEA1HKA010B | 1 50V            | C427    | ECBT1H221KB5 | 220P 50V         | C532    | ECBT1E103ZF5 | 0.01 25V         | C643    | ECBT1H101KB5 | 100P 50V         |
| C145    | ECBT1H220JC5 | 22P 50V          | C428    | ECBT1H221KB5 | 220P 50V         | C533    | ECEA1CKA220B | 22 16V           | C651    | ECEA1HKN3R3B | 3.3 50V          |
| C146    | ECBT1H331KB5 | 330P 50V         | C431    | ECEA1CU100B  | 10 16V           | C534    | ECEA1CKA220B | 22 16V           | C652    | ECEA1HKN3R3B | 3.3 50V          |
| C147    | ECBT1H102KB5 | 1000P 50V        | C432    | ECEA1CU100B  | 10 16V           | C536    | ECBT1E103ZF5 | 0.01 25V         | C653    | ECBT1H681KB5 | 680P 50V         |
| C148    | ECBT1C103NS5 | 0.01 16V         | C440    | ECBT1E103ZF5 | 0.01 25V         | C537    | ECEA1CU100B  | 10 16V           | C654    | ECBT1H681KB5 | 680P 50V         |
| C149    | ECBT1C103NS5 | 0.01 16V         | C451    | ECEA1VKA4R7B | 4.7 10V          | C538    | ECEA1CU100B  | 10 16V           | C655    | ECEA1JU220B  | 22 63V           |
| C150    | ECBT1H104ZF5 | 0.1 50V          | C452    | ECEA1VKA4R7B | 4.7 10V          | C551    | ECEA1HKA3R3B | 3.3 50V          | C656    | ECEA1JU220B  | 22 63V           |
| C172    | ECBT1H331KB5 | 330P 50V         | C453    | ECBT1H100JC5 | 10P 50V          | C552    | ECEA1HKA3R3B | 3.3 50V          | C657    | ECCR1H100K5  | 10P 50V          |
| C173    | ECEA1CKA220B | 22 16V           | C454    | ECBT1H100JC5 | 10P 50V          | C553    | ECBT1H101KB5 | 100P 50V         | C658    | ECCR1H100K5  | 10P 50V          |
| C174    | ECEA1CKA101B | 100 16V          | C455    | ECBT1H102KB5 | 1000P 50V        | C554    | ECBT1H101KB5 | 100P 50V         | C659    | ECBT1H221KB5 | 220P 50V         |
| C175    | ECBT1C103NS5 | 0.01 16V         | C456    | ECBT1H102KB5 | 1000P 50V        | C555    | ECBT1H221KB5 | 220P 50V         | C660    | ECBT1H221KB5 | 220P 50V         |
| C176    | ECBT1C103NS5 | 0.01 16V         | C457    | ECEA1AKA330B | 33 10V           | C556    | ECBT1H221KB5 | 220P 50V         | C661    | ECQV1H473JZ3 | 0.047 50V        |
| C181    | ECBT1H471KB5 | 470P 50V         | C458    | ECEA1AKA330B | 33 10V           | C557    | ECBT1E103ZF5 | 0.01 25V         | C662    | ECQV1H473JZ3 | 0.047 50V        |
| C196    | ECBT1H102KB5 | 1000P 50V        | C459    | ECFR1E223KR  | 0.022 25V        | C558    | ECBT1E103ZF5 | 0.01 25V         | C663    | ECBT1H681KB5 | 680P 50V         |
| C351    | ECEA1CKA220B | 22 16V           | C460    | ECFR1E223KR  | 0.022 25V        | C559    | ECEA1CKA100B | 10 16V           | C664    | ECBT1H681KB5 | 680P 50V         |
| C352    | ECEA1CKA220B | 22 16V           | C461    | ECFR1E682KR  | 6800P 25V        | C560    | ECEA1CKA100B | 10 16V           | C665    | ECEA1JU330   | 33 63V           |
| C353    | ECBT1H470J5  | 47P 50V          | C462    | ECFR1E682KR  | 6800P 25V        | C563    | ECBT1E103ZF5 | 0.01 25V         | C666    | ECEA2AU100B  | 10 100V          |
| C354    | ECBT1H470J5  | 47P 50V          | C463    | ECEA1VKA4R7B | 4.7 10V          | C583    | ECEA0JKA470B | 47 6.3V          | C667    | ECEA1JU220B  | 22 63V           |
| C355    | ECBT1E103ZF5 | 0.01 25V         | C464    | ECEA1VKA4R7B | 4.7 10V          | C584    | ECEA0JKA470B | 47 6.3V          | C668    | ECEA2AN2R2SB | 2.2 100V         |
| C356    | ECBT1E103ZF5 | 0.01 25V         | C465    | ECBT1E103ZF5 | 0.01 25V         | C601    | ECEA1HKN3R3B | 3.3 50V          | C669    | ECBT1H102KB5 | 1000P 50V        |
| C357    | ECEA0JKA470B | 47 6.3V          | C466    | ECBT1E103ZF5 | 0.01 25V         | C602    | ECEA1HKN3R3B | 3.3 50V          | C671    | ECEA2AU100B  | 10 100V          |
| C358    | ECEA0JKA470B | 47 6.3V          | C469    | ECBT1H181KB5 | 180P 50V         | C603    | ECBT1H681KB5 | 680P 50V         | C672    | ECEA2AU100B  | 10 100V          |
| C359    | ECBT1E103ZF5 | 0.01 25V         | C470    | ECBT1H181KB5 | 180P 50V         | C604    | ECBT1H681KB5 | 680P 50V         | C681    | ECEA1HN100SB | 10 50V           |
| C360    | ECBT1E103ZF5 | 0.01 25V         | C503    | ECEA0JKA101B | 100 6.3V         | C605    | ECEA1JU220B  | 22 63V           | C682    | ECEA1HN100SB | 10 50V           |
| C401    | ECEA1VKA4R7B | 4.7 10V          | C504    | ECEA0JKA101B | 100 6.3V         | C606    | ECEA1JU220B  | 22 63V           | C683    | ECBT1C332KR5 | 3300P 16V        |
| C402    | ECEA1VKA4R7B | 4.7 10V          | C505    | ECFR1C104MR  | 0.1 16V          | C607    | ECCR1H100K5  | 10P 50V          | C684    | ECBT1C332KR5 | 3300P 16V        |
| C403    | ECBT1E103ZF5 | 0.01 25V         | C506    | ECFR1C104MR  | 0.1 16V          | C608    | ECCR1H100K5  | 10P 50V          | C685    | ECBT1E103ZF5 | 0.01 25V         |
| C404    | ECBT1E103ZF5 | 0.01 25V         | C511    | ECEA1HKA3R3B | 3.3 50V          | C609    | ECBT1H221KB5 | 220P 50V         | C701    | ECBT1E103ZF5 | 0.01 25V         |
| C405    | ECBT1H101KB5 | 100P 50V         | C512    | ECEA1HKA3R3B | 3.3 50V          | C610    | ECBT1H221KB5 | 220P 50V         | C702    | ECQE2104KF3  | 0.1 1            |
| C406    | ECBT1H101KB5 | 100P 50V         | C513    | ECBT1H150J5  | 15P 50V          | C611    | ECQV1H473JZ3 | 0.047 50V        | C703    | ECES75V752UX | 7500 100V A      |
| C409    | ECEA1EKA220B | 22 25V           | C514    | ECBT1H150J5  | 15P 50V          | C612    | ECQV1H473JZ3 | 0.047 50V        | C704    | ECES75V752UX | 7500 100V A      |
| C410    | ECEA1EKA220B | 22 25V           | C515    | ECBT1H221KB5 | 220P 50V         | C613    | ECBT1H681KB5 | 680P 50V         | C705    | ECEA1HM332EV | 3300P 50V [M]    |
| C411    | ECBT1H101KB5 | 100P 50V         | C516    | ECBT1H221KB5 | 220P 50V         | C614    | ECBT1H681KB5 | 680P 50V         | C706    | ECEA1HM332EV | 3300P 50V [M]    |
| C412    | ECBT1H101KB5 | 100P 50V         | C517    | ECBT1H330J5  | 33P 50V          | C615    | ECEA1JU330   | 33 63V           | C707    | ECA1VM101B   | 100P 10V         |
| C413    | ECEA1CU100B  | 10 16V           | C518    | ECBT1H330J5  | 33P 50V          | C616    | ECEA2AU100B  | 10 100V          | C708    | ECKR1H103ZF5 | 0.01 50V         |
| C414    | ECEA1CU100B  | 10 16V           | C519    | ECEA1VKA4R7B | 4.7 10V          | C617    | ECEA1JU220B  | 22 63V           | C709    | ECEA1CKA330B | 33 16V           |
| C415    | ECBT1E103ZF5 | 0.01 25V         | C520    | ECEA1VKA4R7B | 4.7 10V          | C618    | ECEA2AN2R2SB | 2.2 100V         | C710    | ECBT1E103ZF5 | 0.01 25V         |
| C416    | ECBT1E103ZF5 | 0.01 25V         | C521    | ECEA1VKA4R7B | 4.7 10V          | C619    | ECBT1H102KB5 | 1000P 50V        | C711    | ECKR1H103ZF5 | 0.01 50V         |
| C417    | ECBT1H101KB5 | 100P 50V         | C522    | ECEA1VKA4R7B | 4.7 10V          | C621    | ECEA2AU100B  | 10 100V          | C712    | ECEA1HKA100B | 10 50V           |
| C418    | ECBT1H101KB5 | 100P 50V         | C523    | ECFR1E123KR  | 0.012 25V        | C622    | ECEA2AU100B  | 10 100V          | C713    | ECBT1E103ZF5 | 0.01 25V         |
| C419    | ECBT1H331KB5 | 330P 50V         | C524    | ECFR1E123KR  | 0.012 25V        | C631    | ECKR1H223ZF5 | 0.022 50V        | C714    | ECEA1EKA470B | 47 25V           |
| C420    | ECBT1H331KB5 | 330P 50V         | C525    | ECQV1H683JZ3 | 0.068 50V        | C632    | ECKR1H223ZF5 | 0.022 50V        | C715    | ECEA1CKA101B | 100 16V          |

| Ref No | Part No.     | Values & Remarks  | Ref No. | Part No.     | Values & Remarks | Ref No. | Part No.     | Values & Remarks | Ref No. | Part No.     | Values & Remarks |
|--------|--------------|---|---------|--------------|------------------|---------|--------------|------------------|---------|--------------|------------------|
| C721   | ECQE2104KF3  | 0.1 1   | C921    | ECBT1H331KB5 | 330P 50V         | C1009   | ECEA0JU221B  | 220 6.3V         | C1037   | ECBT1H101KB5 | 100P 50V         |
| C751   | ECKWRS102MBC | 0.001 400V(MAV)  | C922    | ECBT1H331KB5 | 330P 50V         | C1010   | ECEA1CKA100B | 10 16V           | C1038   | ECBT1H101KB5 | 100P 50V         |
| C752   | ECKR1H103ZF5 | 0.01 50V  | C923    | ECBT1H331KB5 | 330P 50V         | C1011   | ECEA1CKA100B | 10 16V           | C1039   | ECEA1CU101B  | 100 16V          |
| C753   | ECA1EM102B   | 1000P 25V   | C924    | ECBT1H331KB5 | 330P 50V         | C1012   | ECEA1CKA100B | 10 16V           | C1040   | ECEA1CKA100B | 10 16V           |
| C754   | ECBT1E103ZF5 | 0.01 25V  | C925    | ECBT1H331KB5 | 330P 50V         | C1013   | ECEA1CKA100B | 10 16V           | C1041   | ECBT1E103ZF5 | 0.01 25V         |
| C755   | ECEA1CU470B  | 47 16V  | C926    | ECBT1H331KB5 | 330P 50V         | C1014   | ECEA0JU221B  | 220 6.3V         | C1043   | ECEA1CKA100B | 10 16V           |
| C757   | ECEA1CU100B  | 10 16V  | C927    | ECBT1H331KB5 | 330P 50V         | C1015   | ECQV1H104JZ3 | 0.1 50V          | C1044   | ECEA1CKA100B | 10 16V           |
| C758   | ECEA1AU101B  | 100 10V   | C928    | ECBT1H331KB5 | 330P 50V         | C1016   | ECQV1H104JZ3 | 0.1 50V          | C1051   | ECEA1HKA2R2B | 2.2 50V          |
| C771   | ECEA1HKA2R2B | 2.2 50V   | C929    | ECBT1H331KB5 | 330P 50V         | C1017   | ECEA1HKAR47B | 0.47 50V         | C1052   | ECEA1HKA010B | 1 50V            |
| C772   | ECEA1CU100B  | 10 16V  | C930    | ECBT1H331KB5 | 330P 50V         | C1018   | ECEA1HKA4R7B | 4.7 50V          | C1053   | ECEA1HKA3R3B | 3.3 50V          |
| C773   | ECBT1E223ZF5 | 0.022 25V   | C931    | ECBT1H101KB5 | 100P 50V         | C1019   | ECEA1HKAR47B | 0.47 50V         | C1054   | ECEA0JU221B  | 220 6.3V         |
| C774   | ECEA0JU221B  | 220 6.3V  | C934    | ECBT1H101KB5 | 100P 50V         | C1020   | ECEA1HKA4R7B | 4.7 50V          | C1055   | ECEA1HKA010B | 1 50V            |
| C901   | ECEA0JU102B  | 1000 6.3V   | C935    | ECBT1E103ZF5 | 0.01 25V         | C1021   | ECEA1HKAR15B | 0.15 50V         | C1056   | ECFR1E563KR  | 0.056 25V        |
| C902   | ECBT1E223ZF5 | 0.022 25V   | C936    | ECBT1H101KB5 | 100P 50V         | C1022   | ECEA1HKA3R3B | 3.3 50V          | C1057   | ECFR1E152KR  | 1500P 25V        |
| C903   | ECBT1E103ZF5 | 0.01 25V  | C938    | ECBT1H101KB5 | 100P 50V         | C1023   | ECQV1H154JZ3 | 0.15 50V         | C1058   | ECFR1E563KR  | 0.056 25V        |
| C904   | ECEA0JU102B  | 1000 6.3V   | C944    | ECBT1E103ZF5 | 0.01 25V         | C1024   | ECQV1H154JZ3 | 0.15 50V         | C1059   | ECEA1CKA101B | 100 16V          |
| C906   | ECEA0JKA101B | 100 6.3V  | C948    | ECBT1E103ZF5 | 0.01 25V         | C1025   | ECEA1HKA3R3B | 3.3 50V          | C1060   | ECBT1E223ZF5 | 0.022 25V        |
| C908   | ECBT1E103ZF5 | 0.01 25V  | C949    | ECBT1H101KB5 | 100P 50V         | C1026   | ECEA1HKAR15B | 0.15 50V         | C1062   | ECBT1E223ZF5 | 0.022 25V        |
| C909   | ECEA1VKA220B | 22 10V  | C994    | ECBT1H101KB5 | 100P 50V         | C1027   | ECEA1HKA4R7B | 4.7 50V          | C1063   | ECEA1CKA101B | 100 16V          |
| C910   | ECEA1VKA220B | 22 10V  | C995    | ECBT1H101KB5 | 100P 50V         | C1028   | ECEA1HKAR47B | 0.47 50V         | C1064   | ECEA1HKA010B | 1 50V            |
| C911   | ECEA1VKA220B | 22 10V  | C996    | ECBT1H101KB5 | 100P 50V         | C1029   | ECEA1HKA4R7B | 4.7 50V          | C1065   | ECBT1H681KB5 | 680P 50V         |
| C912   | ECEA1VKA220B | 22 10V  | C1001   | ECEA1HKA010B | 1 50V            | C1030   | ECEA1HKAR47B | 0.47 50V         | C1067   | ECBT1C152KR5 | 1500P 16V        |
| C913   | ECEA1VKA100B | 10 10V  | C1002   | ECEA1HKA010B | 1 50V            | C1031   | ECQV1H104JZ3 | 0.1 50V          | C1068   | ECBT1C152KR5 | 1500P 16V        |
| C914   | ECEA1VKA100B | 10 10V  | C1003   | ECEA1HKA3R3B | 3.3 50V          | C1032   | ECQV1H104JZ3 | 0.1 50V          | C1081   | ECEA1HKA010B | 1 50V            |
| C916   | ECEA1HKA010B | 1 50V   | C1004   | ECEA1HKA3R3B | 3.3 50V          | C1033   | ECEA0JKA470B | 47 6.3V          | C1082   | ECBT1E223ZF5 | 0.022 25V        |
| C917   | ECEA1HKAR47B | 0.47 50V  | C1005   | ECEA1HKA010B | 1 50V            | C1034   | ECQV1H474JZ3 | 0.47 50V         |         |              |                  |
| C918   | ECEA0JKA221B | 220 6.3V  | C1007   | ECFR1E223KR  | 0.022 25V        | C1035   | ECBT1H681KB5 | 680P 50V         |         |              |                  |
| C920   | ECEA1HKA010B | 1 50V   | C1008   | ECFR1E473KR  | 0.047 25V        | C1036   | ECBT1H101KB5 | 100P 50V         |         |              |                  |



# ■ Packaging (Refer to page 47 for the Parts List.)

SSO

## ACCESSORY

|                        |                       |
|------------------------|-----------------------|
| P1 (SPSD152)           | : ACCESSORY BOX       |
| A1 (RAK-SA612WHP)      | : REMOTE CONTROL UNIT |
| A2 (RSA0010)           | : AM LOOP ANT         |
| A3 (VJA0733)...EB      | : AC CORD             |
| A3 (RJA0019-2K)...E,EG | : AC CORD             |
| A4 (RSA0007)           | : FM ANTENNA          |
| A5 (RFKSAEX500EK)...E  | : INSTR. MANUAL ASS'Y |
| A5 (RFKSAEX500EB)...EB | : INSTR. MANUAL ASS'Y |
| A5 (RFKSAEX500EG)...EG | : INSTR. MANUAL ASS'Y |
| A6 (SJP9009)...EB      | : ANT. ADAPTOR        |

